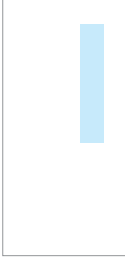
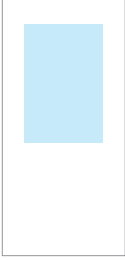
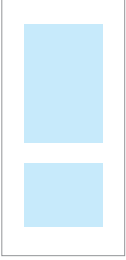


Hallmark STC40 30 Minute Fire/Acoustic Doors



LEAF SIZES	
Max Single Leaf	Latched: 2706mm x 832mm to 2185mm x 1092mm Unlatched: 2653mm x 816mm to 2142mm x 1071mm (refer graph on following page)
Max Double Leaf	Latched: 2373mm x 862mm to 2050mm x 1024mm Unlatched: 2350mm x 854mm to 2030mm x 1014mm (refer graph on following page)

TYPICAL VISION PANEL ARRANGEMENTS	
	Numerous options available - please contact our sales team
	
	

Acoustic Performance Summary - Single Leaf

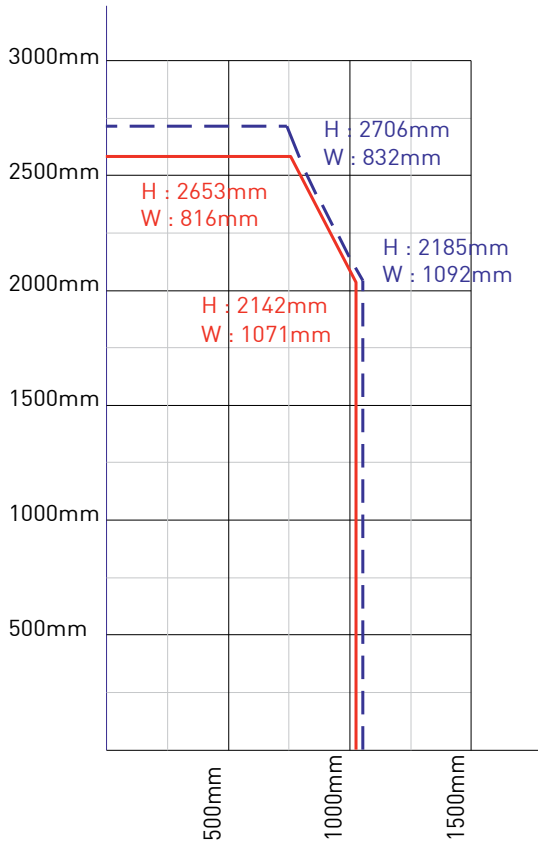
	Acoustic Seal Set	Threshold Required	Intumescent Seal(s)			Glass Type	dB (Rw) Rating	Fire Rating
			Jambs	Head	Meeting Stile			
Single Leaf - Flush								
SLSS Flush	E	LOR IS4015	1no LOR DS1504	2no LOR DS1504	n/a	n/a	43dB	NFR
SLSS Flush	E	LOR IS4015	1no LOR DS1504	2no LOR DS1504	n/a	n/a	43dB	FD30S
Single Leaf - Glazed								
SLSS Glazed	E	LOR IS4015	1no LOR DS1504	2no LOR DS1504	n/a	15mm pyrostop	41dB	NFR
SLSS Glazed	E	LOR IS4015	1no LOR DS1504	2no LOR DS1504	n/a	23mm pyrostop	41dB	NFR
SLSS Glazed	E	LOR IS4015	1no LOR DS1504	2no LOR DS1504	n/a	15mm pyrostop	41dB	FD30S
SLSS Glazed	E	LOR IS4015	1no LOR DS1504	2no LOR DS1504	n/a	23mm pyrostop	41dB	FD30S

Note 1: Pyroplex intumescent seals (as tested) or any PVC-encased graphite based intumescent seal or Lorient 617

Assessed Fire Performance Parameters

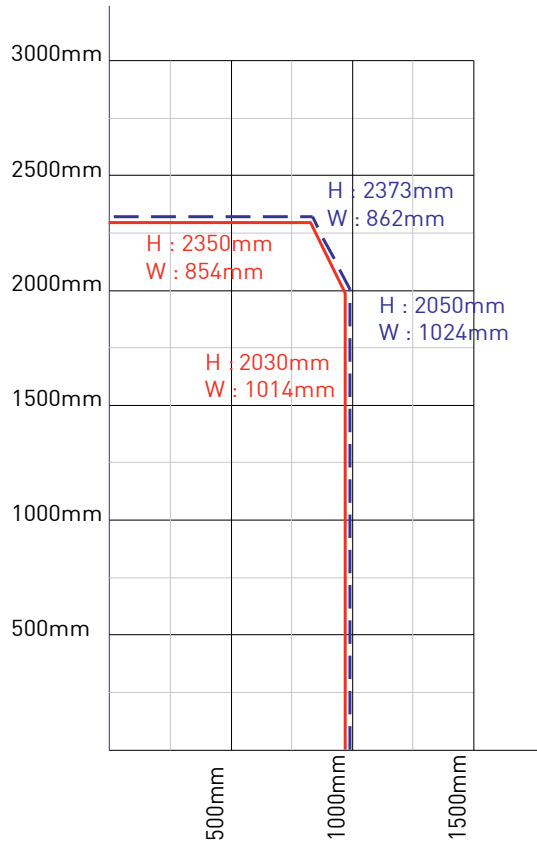
Single Acting Single Leaf

UNLATCHED FD30 in Red Solid
LATCHED FD30 in Blue Dashed



Single Acting Double Leaf

UNLATCHED FD30 in Red Solid
LATCHED FD30 in Blue Dashed



Assessed Fire Performance Parameters from IFC Field Of Application PAR_10651_01
Construction and configuration must be as per the detail in this report

Single Action Single Leaf

- Latched = 2706mm x 832mm to 2185mm x 1092mm
- Unlatched = 2653mm x 816mm to 2142mm x 1071mm

Single Action Double Leaf

- Latched = 2373mm x 862mm to 2050mm x 1024mm
- Unlatched = 2350mm x 854mm to 2030mm x 1014mm

Acoustic Seal Sets

Seal Set	Head	Jambs	Base	M/S
E	LOR DS1504 & IS1010	LOR DS1504 & IS1010	2xIS1511 (or LAS 8007)	n/a

Facings

Tri-Sound DB+ is very flexible with regard to the appearance of the finished door leaf. Decorative facings up to 2mm thick can be applied to the Tri-Sound DB+ chipboard substrate including wood veneers, plastic based laminates, pvc or paint. We recommend the use of paint-grade veneers or painting foils where a painted finish is required.

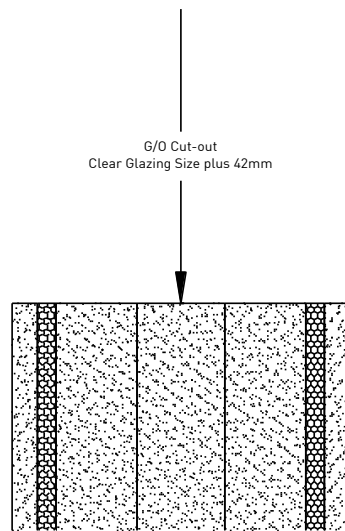
Glass Openings

Glass Openings of up to 25% of the leaf size can be formed by cutting out through the substrate and core. Glazing bead detail must be as shown, with the belection sandwiching the blank.

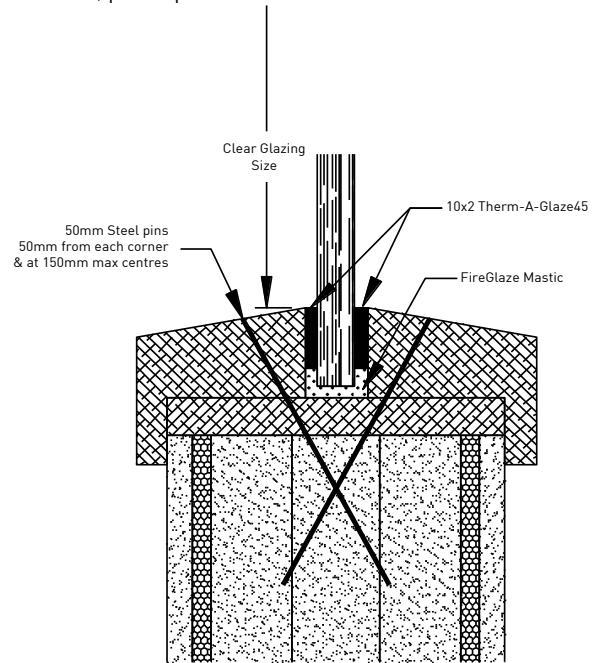
Margins to top and vertical edges must be no less than 150mm.

Multiple glass openings can be created provided that the total glass opening area is no more than 25% of the leaf size and the margins between glass openings are no less than 150mm.

Where Fire performance is also required the maximum total glazing area must not in any event exceed 0.422m² or 25% of the leaf area (whichever is the lesser).



Glass Opening Cut-out Detail

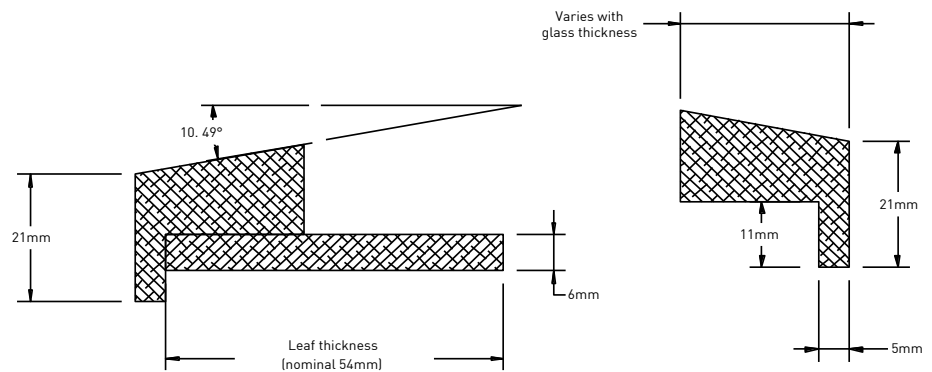


Glazing Detail

Glazing

The following Glass types are to be used with reference to Hallmark specific advice depending on application:

- 33mm Insulated Glass Unit, using 8mm Clear Float toughened and 12.76mm SoundStop (for non-fire rated only)
- 15mm Pyrostop
- 23mm Pyrostop



Glass Beading Detail

Glazing Beads

Bead detail is to be as shown above with beads and liner to be manufactured from hardwood with minimum density 630 Kg/m³.

Frame & Seal Configurations

Single Leaf - Seal Set E

