

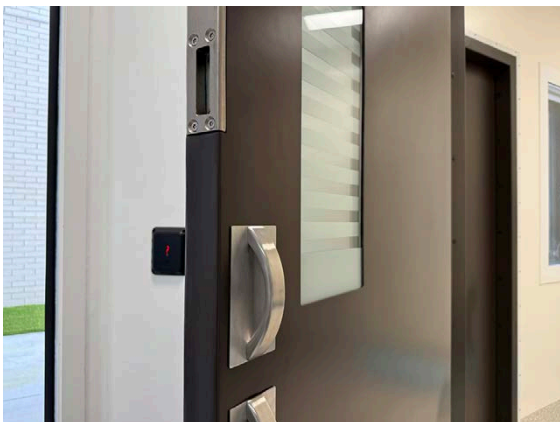
Product:

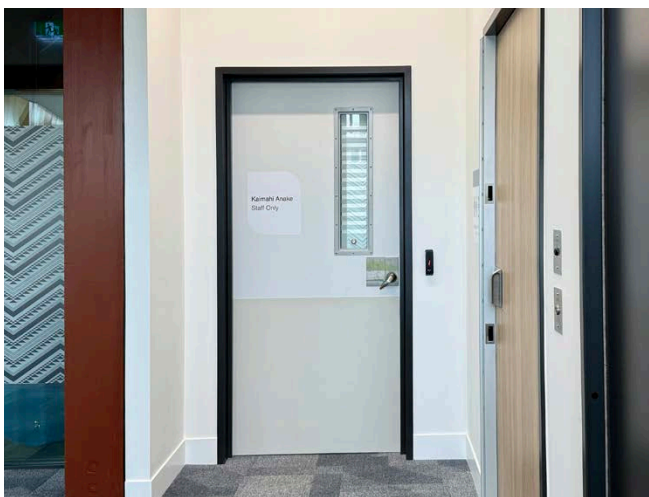
INTAGlaze Privacy Vision Panel



Product Description

INTAGlaze is a tried and tested vision panel that ensures the security and dignity of both staff and service users. The quiet, manually operated panel requires absolutely no wiring or mains power.





Testing

Cycle tested to greater than 40,000 cycles (10 Years typical use)

Product Specification

Manufacturer:

Intastop Ltd

Supplier/Agent:

Hallmark Group Ltd

Reference:

INTAGlaze Panel, supplied with ironmongery one or both sides

Size:

- Rectangular 254 x 804mm,
- Square 404 x 404mm, or
- Custom Size

Performance:

Increased visibility -
404 x 404 – 38% visibility
254 x 804 – 41% visibility

Finish:

30mm panel: 10mm toughened glass on both sides. 39mm panel: 10mm toughened glass on staff side, 19mm toughened glass on patient side.

Optional: upgrade to toughened laminated glass e.g. 10.4mm thickness (other thicknesses tbc).

Ironmongery Options –Standard – 8mm key, lifeline key, thumb turn / knob.

Fixing:

As per manufacturers recommendations.

Benefits

- Monitor patients easily and safely whilst still allowing a level of privacy.
- Staff only need to carry one key to use on both Intastop Removable Doorstop and an INTAGlaze Panel (8mm key standard, Lifeline Key option available).
- Easy for staff to use whether left or right handed.
- Quiet operation (controlled closing of glass and optional plastic key).
- 12 month warranty


Operating Mechanism Options


Knob



Lifeline Key



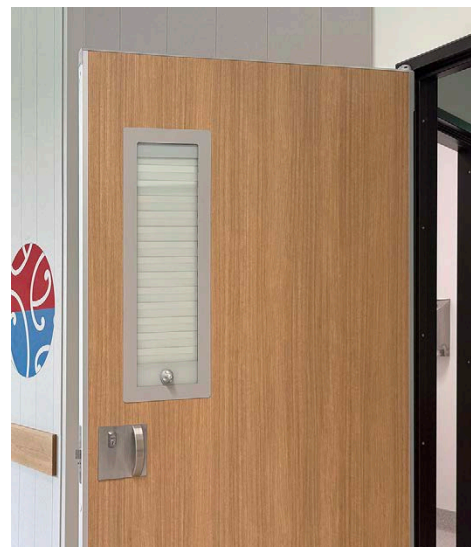
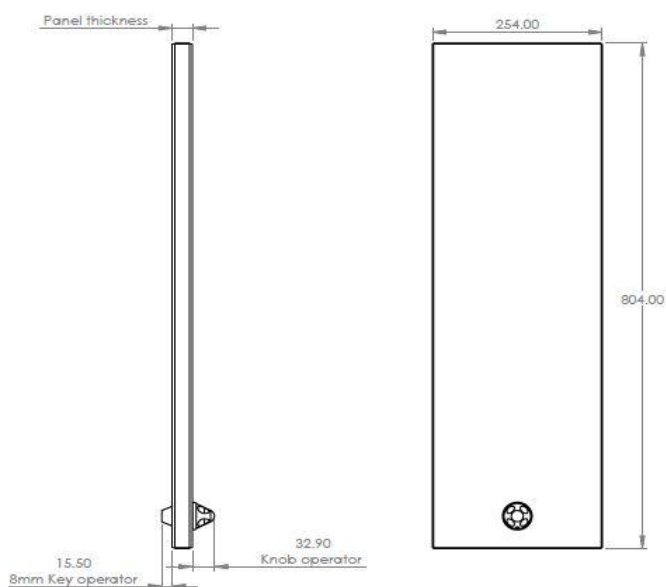
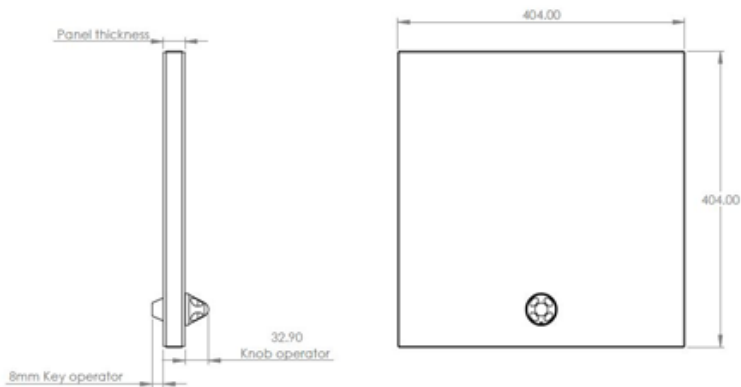
Blank

Available Panel Configurations

Configuration	Panel thickness
10mm, 10mm	30mm
10mm, 19mm	39mm

Tolerances

Panel height, width and thickness dimensions are subject to a tolerance of $\pm 2\text{mm}$.



Further Information

To enquire further about INTAGlaze Privacy Vision Panel phone 03 313 4754 or email specification@hallmarkgroup.co.nz